

# MERCUSYS®

NOW AVAILABLE FROM



**SPIRE**  
TECHNOLOGY



# About Mercusys

The Mercusys mission is simple. We strive to offer excellent internet access to as many people as possible. We believe that, in an increasingly connected world, everyone should have access to the tremendous wealth of information and entertainment that is available today. Mercusys is committed to being your trusted partner and broadening your horizons to include the infinite potential for valuable human connections that the internet provides.

Mercusys specializes in providing the essential devices that form the backbone of your connected life. A wide and steadily growing array of Wi-Fi routers, Wi-Fi adapters, repeaters, access points, and SOHO switches help you get the most out of your internet connection and turn your home or small office into a thriving epicenter of connectivity.

Our philosophy emphasizes the central role of research and development in creating products that have the power to improve daily life. Mercusys is home to a large team of dedicated research and development engineers with years of experience. We cooperate with leading technical professionals from around the world and develop innovative products through our partnerships with renowned chipset manufacturers, including MediaTek and Qualcomm.

Mercusys has a strong commitment to excellence, a vast global network, and a dream of enriching lives through better connections. We are proud to offer the stable, high quality products that put you in touch with the digital world and help you enjoy a more fulfilling online experience.

01202 828 444  
sales@spire.co.uk  
www.spire.co.uk

**MERCUSYS**<sup>®</sup>



**SPIRE**  
TECHNOLOGY

# 300 Mbps Whole Home Mesh Wi-Fi System

Model: Halo S3

## // Highlights

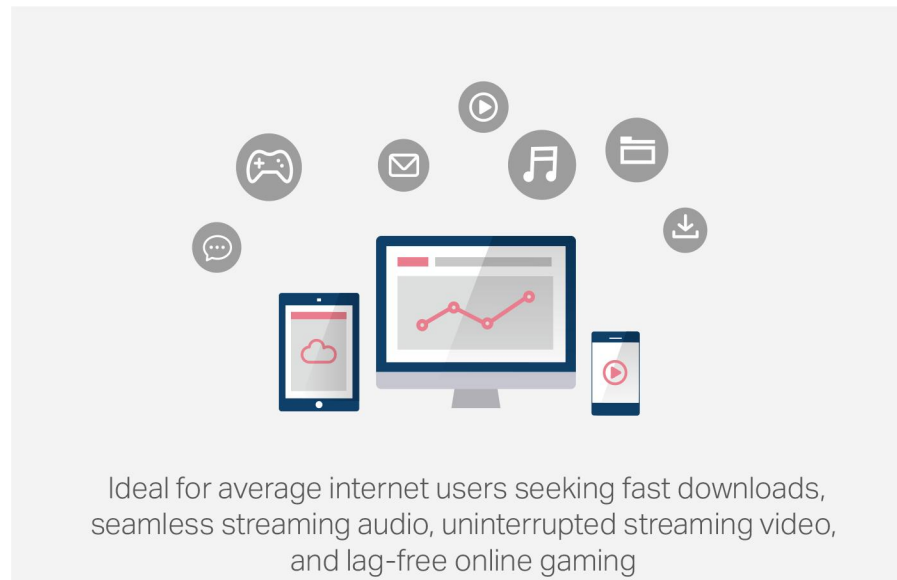
- One Unified Network – Run a single home network with one Wi-Fi name and password
- Seamless Roaming – Choose the best signal and enjoy the best connections for all your devices
- Connects over 40 Devices – Enjoy lag-free connection and non-stop entertainment on all your devices
- IPTV Compatible – Enjoy multimedia services as you want
- 300Mbps Wireless Speed - Ideal for HD streaming, online gaming, and large file downloads



## // Applications



Ideal for large homes with multiple rooms and multiple users



Ideal for average internet users seeking fast downloads, seamless streaming audio, uninterrupted streaming video, and lag-free online gaming

## // Features



### Speed

Wireless Speed – Wireless speed of up to 300 Mbps



### Range

Internal omni-directional antennas provide great wireless coverage

Mesh Wi-Fi system extends Wi-Fi range to every corner of your home, covering up to 2,200 square feet.



### Easy Setup

Quick Installation – Intuitive webpage supports quick, hassle free installation



### Security

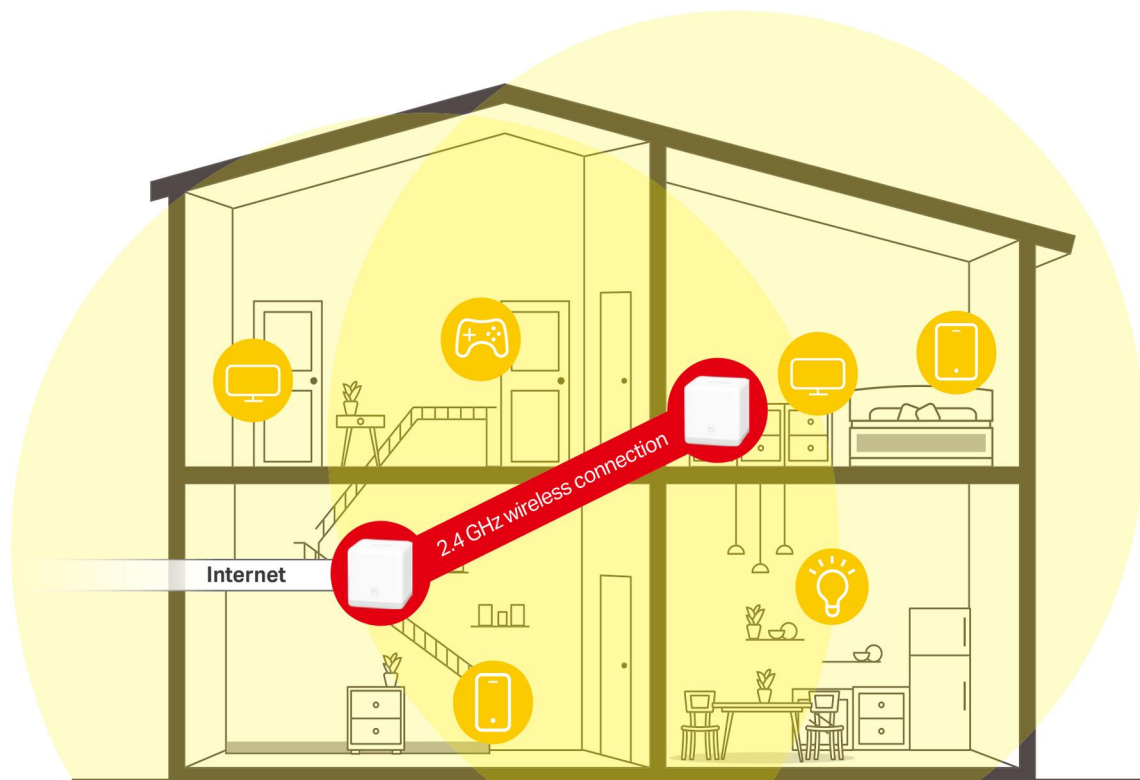
Guest Network – Creates a separate network for your guests to ensure safety

Parental Controls – Parents can establish appropriate access policies for children devices

## // Whole Home Mesh Wi-Fi System

Halo S3 works as a unified system to guarantee a strong Wi-Fi signal in every corner of your home.

Mercusys Mesh Technology provides an incredibly fast and stable usage experience when you walk around your home. Interruption and buffering will be a thing of the past.



### Seamless Roaming

Intelligently connects devices to the Halo with the strongest signal and highest capacity. No more sudden signal drops or lagging Wi-Fi when you're roaming at home.

### Self-Healing

If one AP node drops in a multi-node mesh network, the system will reconfigure automatically based on the other nodes. Data connectivity is always maintained and there is no interruption experience at all.

### Connects over 40 devices

Smart home devices, gaming, 4K streaming, and AR/VR all compete for network resources, Halo S3 can provide fast connections for over 40 devices, keeping all your devices connected.

## // Specifications

### Physical Specifications

---

#### Ports

2 10/100 Mbps ports per Halo unit  
(WAN/LAN auto-sensing)

#### Button

Pair button, Reset button

#### External Power Supply

9V/0.6A

#### Dimensions (W x D x H)

3.5 × 3.5 × 3.5 in (88 × 88 × 88 mm)

#### Package Contents(2-pack)

- 2× Halo S3 Units
- 1× RJ45 Ethernet Cable
- 2× Power Adapters
- 1× Quick Installation Guide

#### Package Contents(3-pack)

- 3× Halo S3 Units
- 1× RJ45 Ethernet Cable
- 3× Power Adapters
- 1× Quick Installation Guide

### Wireless Specifications

---

#### Wireless Standards

IEEE 802.11b/g/n

#### Frequency

2.4 - 2.5 GHz

#### Mesh protocol

802.11k/v

#### Signal Rate

300 Mbps on 2.4 GHz

#### Transmit Power

<20dBm (EIRP)

#### Reception Sensitivity

- 11g 6M: -95dBm
- 11g 54M: -77dBm
- 11n 20M MCS7: -75dBm
- 11n 40M MCS7: -72dBm

#### Wireless Function

Enable/Disable Wireless Radio, Wireless Statistics

#### Wireless Security

WPA2-PSK + AES

### Operation Specifications

---

#### WAN Type

Dynamic IP/Static IP/PPPoE/PPTP/L2TP

#### DHCP

Server, Address Reservation, DHCP Client List

#### Port Forwarding

Virtual Server, UPnP, DMZ, Port Triggering

#### Management

Access Control  
Local Management  
Remote Management

#### Protocols

IPv4, IPv6

#### Guest Network

2.4 GHz Guest Network

#### Environment

- Operating Temperature: 0°C~40°C (32°F~104°F)
- Storage Temperature: -40°C~70°C (-40°F~158°F)
- Operating Humidity: 10%~90% Non-Condensing
- Storage Humidity: 5%~90% Non-Condensing

Specifications are subject to change without notice. MERCUSYS is a registered trademark of MERCUSYS TECHNOLOGIES CO., LTD. Other brands and product names are trademarks or registered trademarks of their respective holders. Copyright © 2019 MERCUSYS TECHNOLOGIES CO., LTD. All rights reserved.

\* Maximum wireless signal rates are the physical rates derived from IEEE Standard 802.11 specifications. Actual wireless data throughput and wireless coverage are not guaranteed and will vary as a result of 1) environmental factors, including building materials, physical objects, and obstacles, 2) network conditions, including local interference, volume and density of traffic, product location, network complexity, and network overhead, and 3) client limitations, including rated performance, location, connection, quality, and client condition.

# AC1200 Dual Band Wireless Router

## Model: AC12

### // Highlights

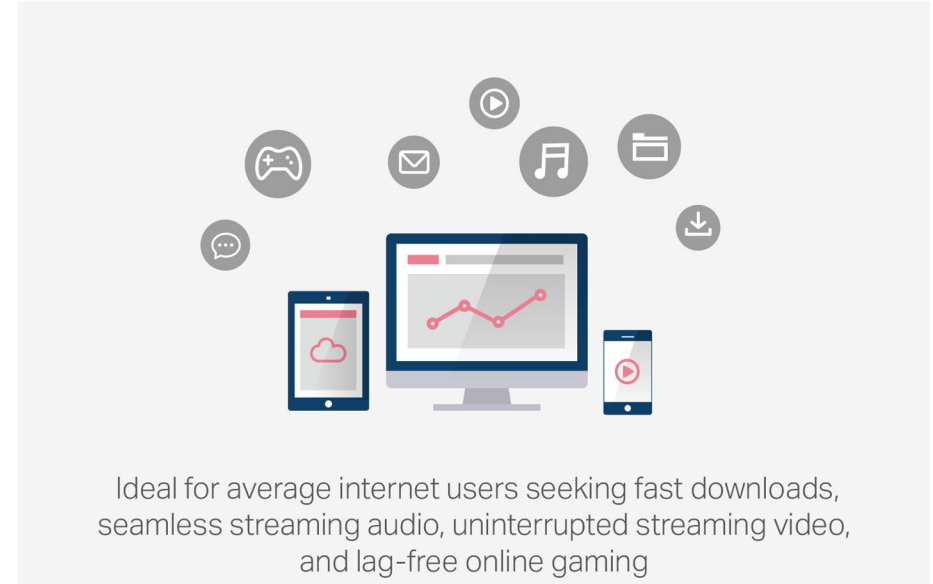
- Fast Wi-Fi – Simultaneous 2.4GHz 300Mbps and 5GHz 867Mbps connection for 1.2Gbps of total available bandwidth
- 802.11ac – Provides a data transfer rate 3 times faster than 802.11n for each stream
- Maximum Range – Four 5dBi high gain antennas ensure widespread Wi-Fi coverage and a stable connection
- Easy Installation – Intuitive webpage guides you through the setup process in minutes



## // Applications



Ideal for large homes with multiple rooms and multiple users



Ideal for average internet users seeking fast downloads, seamless streaming audio, uninterrupted streaming video, and lag-free online gaming

## // Features



### Speed

Fast Wireless Speed – Combined wireless speeds of up to 300 Mbps (over 2.4GHz) and 867 Mbps (over 5GHz)



### Range

Four Omni Directional Antennas – Four fixed antennas provide maximum wireless coverage  
Enhanced Signal – High gain antennas are arranged to boost wireless performance



### Easy Setup

Quick 3-Step Installation – Intuitive webpage supports quick, hassle free installation

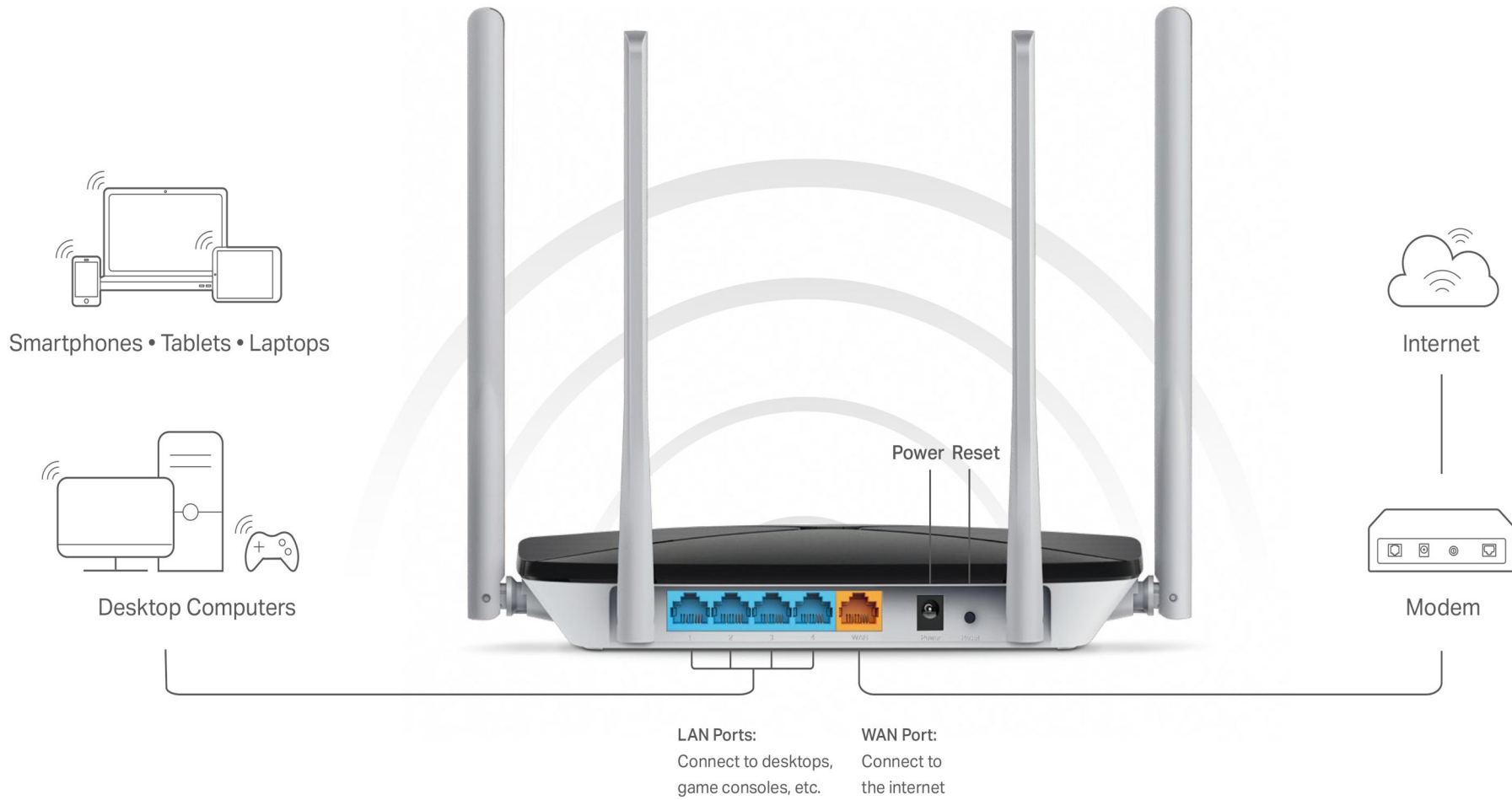


### Security

Guest Network – Creates two separate networks for you and your guests to ensure safety  
Parental Controls – Parents can establish appropriate access policies for children devices



## // Connections



## // Fast Dual-Band Wi-Fi

The AC12 connects devices on both 2.4GHz and 5GHz bands simultaneously, offering a superior lag-free experience for work and play. Combining 300Mbps 2.4GHz (perfect for surfing and emailing) and 867Mbps 5GHz (ideal for HD streaming and gaming), you have the flexibility to allocate your devices to dedicated networks to do more at the same time.



## // Specifications

### Physical Specifications

#### Ethernet Ports

4\*10/100Mbps LAN Ports  
1\*10/100Mbps WAN Port

#### Button

Reset Button

#### External Power Supply

9V/0.85A

#### Dimensions (W x D x H)

222 x 140 x 32 mm

#### Antenna

4 \* 5dBi

#### Package Contents

- AC1200 Dual Band Wireless Router (AC12)
- Power Adapter
- Ethernet Cable
- Quick Installation Guide

### Wireless Specifications

#### Wireless Standards

IEEE 802.11a/n/ac 5GHz, IEEE 802.11b/g/n 2.4GHz

#### Frequency

2.4 - 2.5GHz, 5.15 - 5.35GHz

#### Signal Rate

300Mbps at 2.4GHz, 867Mbps at 5GHz

#### Transmit Power

<20dBm (EIRP)

#### Reception Sensitivity

5GHz

- 11a 6M: -92dBm
- 11a 54M: -75dBm
- 11ac 20M MCS8: -70dBm
- 11ac 40M MCS9: -64dBm
- 11ac 80M MCS9: -60dBm

2.4GHz

- 11g 6M: -95dBm
- 11g 54M: -77dBm
- 11n 20M MCS7: -74dBm
- 11n 40M MCS7: -71dBm

#### Wireless Function

Enable/Disable Wireless Radio, WDS Bridge,  
Wireless Statistics

#### Wireless Security

WPA-PSK / WPA2-PSK

### Operation Specifications

#### WAN Type

Dynamic IP/Static IP/PPPoE

#### DHCP

Server

#### Port Forwarding

Virtual Server, UPnP, DMZ

#### Management

Access Control  
Local Management  
Remote Management

#### Firewall Security

IP and MAC Address Binding

#### Guest Network

2.4GHz Guest Network

#### Environment

- Operating Temperature: 0°C~40°C (32°F~104°F)
- Storage Temperature: -40°C~70°C (-40°F~158°F)
- Operating Humidity: 10%~90% Non-Condensing
- Storage Humidity: 5%~90% Non-Condensing

Specifications are subject to change without notice. MERCUSYS is a registered trademark of MERCUSYS TECHNOLOGIES CO., LTD. Other brands and product names are trademarks or registered trademarks of their respective holders. Copyright © 2019 MERCUSYS TECHNOLOGIES CO., LTD. All rights reserved.

\* Maximum wireless signal rates are the physical rates derived from IEEE Standard 802.11 specifications. Actual wireless data throughput and wireless coverage are not guaranteed and will vary as a result of 1) environmental factors, including building materials, physical objects, and obstacles, 2) network conditions, including local interference, volume and density of traffic, product location, network complexity, and network overhead, and 3) client limitations, including rated performance, location, connection, quality, and client condition.

# AC1200 Wireless Dual Band Gigabit Router

Model: AC12G

## // Highlights

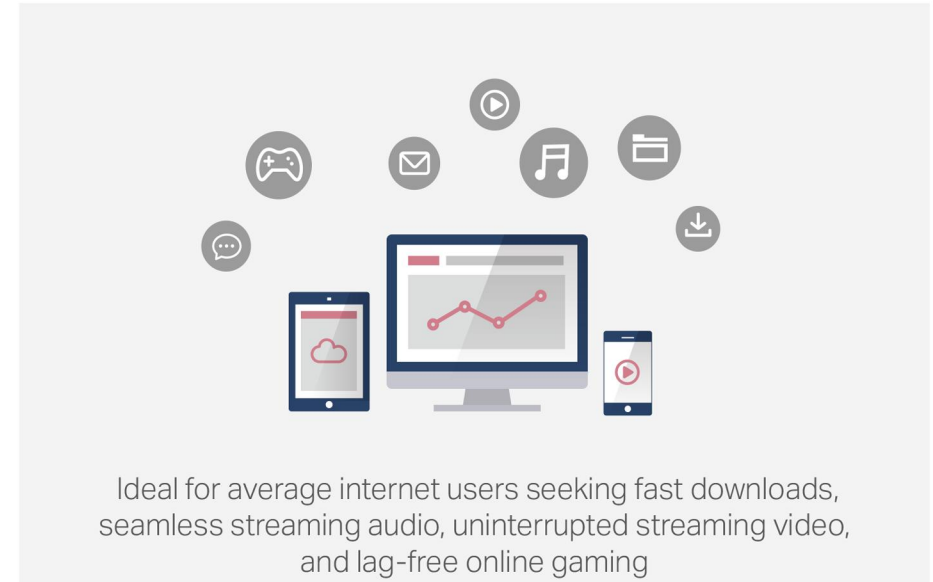
- Fast Wi-Fi – Simultaneous 300Mbps 2.4GHz and 867Mbps 5GHz connection for 1.2Gbps of total available bandwidth
- Maximum Range – Four high gain antennas ensure widespread Wi-Fi coverage and a stable connection
- Easy Installation – Intuitive webpage guides you through the setup process in minutes
- Gigabit Ports – One Gigabit WAN port and three Gigabit LAN ports provide up to 10× faster speeds than standard Ethernet connections



## // Applications



Ideal for large homes with multiple rooms and multiple users



Ideal for average internet users seeking fast downloads, seamless streaming audio, uninterrupted streaming video, and lag-free online gaming

## // Features



### Speed

Fast Wireless Speed – Combined wireless speeds of up to 300 Mbps (over 2.4GHz) and 867 Mbps (over 5GHz)



### Range

Four Omni-Directional Antennas – High gain antennas provide maximum wireless coverage and boost wireless performance



### Easy Setup

Quick 3-Step Installation – Intuitive webpage supports quick, hassle free installation

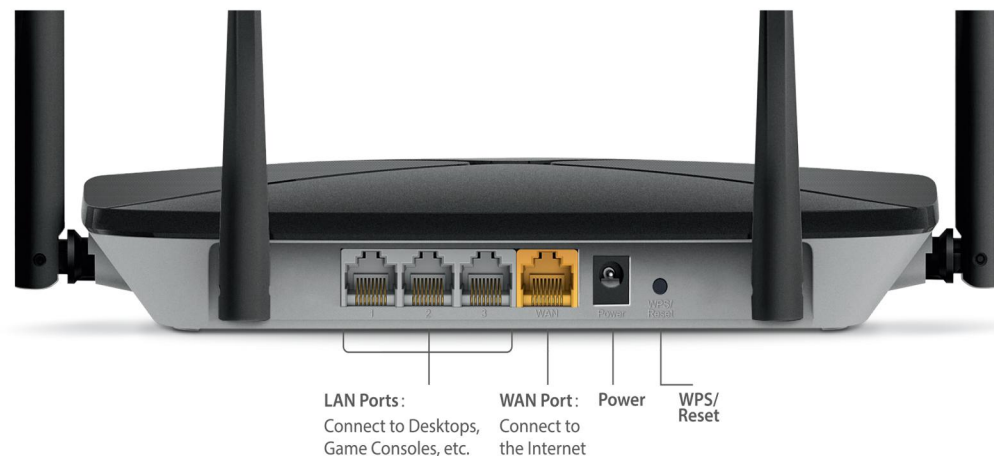


### Security

Guest Network – Creates two separate networks for you and your guests to ensure safety  
Parental Controls – Parents can establish appropriate access policies for children devices

## // Full Gigabit Ports for Powerful Connections

The AC12G is a powerful hub to support a robust and extremely fast wired network. One Gigabit WAN port and three Gigabit LAN ports provide up to 10× faster speeds than standard Ethernet connections, helping your devices reach peak performance for smooth HD streaming and gaming.



## // 1167Mbps Wi-Fi for Lag-free Work and Entertainment

The AC12G connects devices on both 2.4GHz and 5GHz bands simultaneously, offering a superior lag-free experience for work and play. Combining 300Mbps 2.4GHz (perfect for surfing and emailing) and 867Mbps 5GHz (ideal for HD streaming and gaming), you have the flexibility to allocate your devices to dedicated networks to do more at the same time.



## // Specifications

### Physical Specifications

---

#### Ports

1 Gigabit WAN Port  
3 Gigabit LAN Ports

#### Button

WPS/Reset Button

#### External Power Supply

9V/0.85A

#### Dimensions (W x D x H)

222 x 140 x 32 mm

#### Antennas

4 Fixed Omni-Directional Antennas

#### Package Contents

- AC1200 Wireless Dual Band Gigabit Router (AC12G)
- Power Adapter
- Ethernet Cable
- Quick Installation Guide

### Wireless Specifications

---

#### Wireless Standards

IEEE 802.11a/n/ac 5GHz, IEEE 802.11b/g/n 2.4GHz

#### Frequency

2.4 - 2.5GHz, 5.15 - 5.35GHz

#### Signal Rate

300Mbps at 2.4GHz, 867Mbps at 5GHz

#### Transmit Power

<20dBm (EIRP)

#### Reception Sensitivity

5GHz

- |                         |                        |
|-------------------------|------------------------|
| • 11a 6M: -92dBm        | 2.4GHz                 |
| • 11a 54M: -75dBm       | • 11g 6M: -95dBm       |
| • 11ac 20M MCS8: -70dBm | • 11g 54M: -77dBm      |
| • 11ac 40M MCS9: -64dBm | • 11n 20M MCS7: -74dBm |
| • 11ac 80M MCS9: -60dBm | • 11n 40M MCS7: -71dBm |

#### Wireless Function

Enable/Disable Wireless Radio, Wireless Statistics

#### Wireless Security

WPA-PSK / WPA2-PSK

### Operation Specifications

---

#### WAN Type

Dynamic IP/Static IP/PPPoE/PPTP/L2TP

#### DHCP

Server

#### Port Forwarding

Virtual Server, UPnP, DMZ

#### Management

Access Control  
Local Management  
Remote Management

#### Firewall Security

IP and MAC Address Binding

#### Guest Network

2.4GHz Guest Network, 5GHz Guest Network

#### Environment

- Operating Temperature: 0°C~40°C (32°F~104°F)
- Storage Temperature: -40°C~70°C (-40°F~158°F)
- Operating Humidity: 10%~90% Non-Condensing
- Storage Humidity: 5%~90% Non-Condensing

Specifications are subject to change without notice. MERCUSYS is a registered trademark of MERCUSYS TECHNOLOGIES CO., LTD. Other brands and product names are trademarks or registered trademarks of their respective holders. Copyright © 2019 MERCUSYS TECHNOLOGIES CO., LTD. All rights reserved.

\* Maximum wireless signal rates are the physical rates derived from IEEE Standard 802.11 specifications. Actual wireless data throughput and wireless coverage are not guaranteed and will vary as a result of 1) environmental factors, including building materials, physical objects, and obstacles, 2) network conditions, including local interference, volume and density of traffic, product location, network complexity, and network overhead, and 3) client limitations, including rated performance, location, connection, quality, and client condition.



# N150 Wireless Nano USB Adapter

Model: MW150US

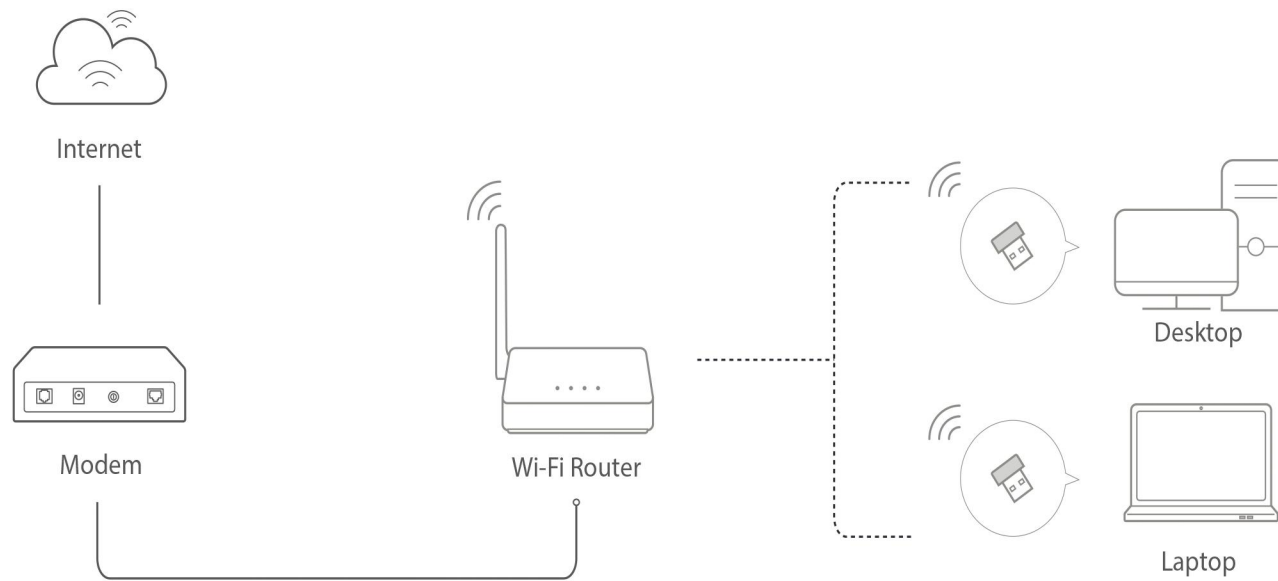
## // Highlights

---

- Compact, convenient solution to make your device wireless
- Perfect for essential Internet applications such as web browsing, email, and chatting
- Supports Windows 8.1/8/7/XP (32/64bit)



## // Connections



## // Specifications

### Physical Specifications

Interface  
USB 2.0

Dimensions (W x D x H)  
18.9x14.8x6.85 mm

Antenna  
Internal

## Wireless Specifications

### Wireless Standards

IEEE 802.11b/g/n

### Frequency

2.4-2.4835GHz

### EIRP

<20dBm (EIRP)

### Wireless Security

WEP, WPA/WPA2, WPA-PSK/WPA2-PSK

### Wireless Function

Enable/Disable Wireless Radio, Wireless Statistics

### Signal Rate

- 11n: Up to 150Mbps (Dynamic)
- 11g: Up to 54Mbps (Dynamic)
- 11b: Up to 11Mbps (Dynamic)

### Reception Sensitivity

- 130M: -65dBm@10% PER
- 108M: -68dBm@10% PER
- 54M: -68dBm@10% PER

- 11M: -85dBm@8% PER
- 6 M: -88dBm@10% PER
- 1 M: -90dBm@8% PER

## Package Contents

1. N150 Wireless Nano USB Adapter ( MW150US )
2. Quick Installation Guide
3. Resource CD



For more information, please visit  
[www.mercusys.com](http://www.mercusys.com)

**MERCUSYS TECHNOLOGIES CO., LTD.**  
3rd Floor, Building R1-B, No. 23, Gaoxin 4th Road,  
South Hi-Tech Park, Nanshan, Shenzhen, P.R.China

Specifications are subject to change without notice. MERCUSYS is a registered trademark of MERCUSYS TECHNOLOGIES CO., LTD. Other brands and product names are trademarks or registered trademarks of their respective holders.  
Copyright © 2016 MERCUSYS TECHNOLOGIES CO., LTD. All rights reserved.

## N300 Wireless Mini USB Adapter

Model: MW300UM

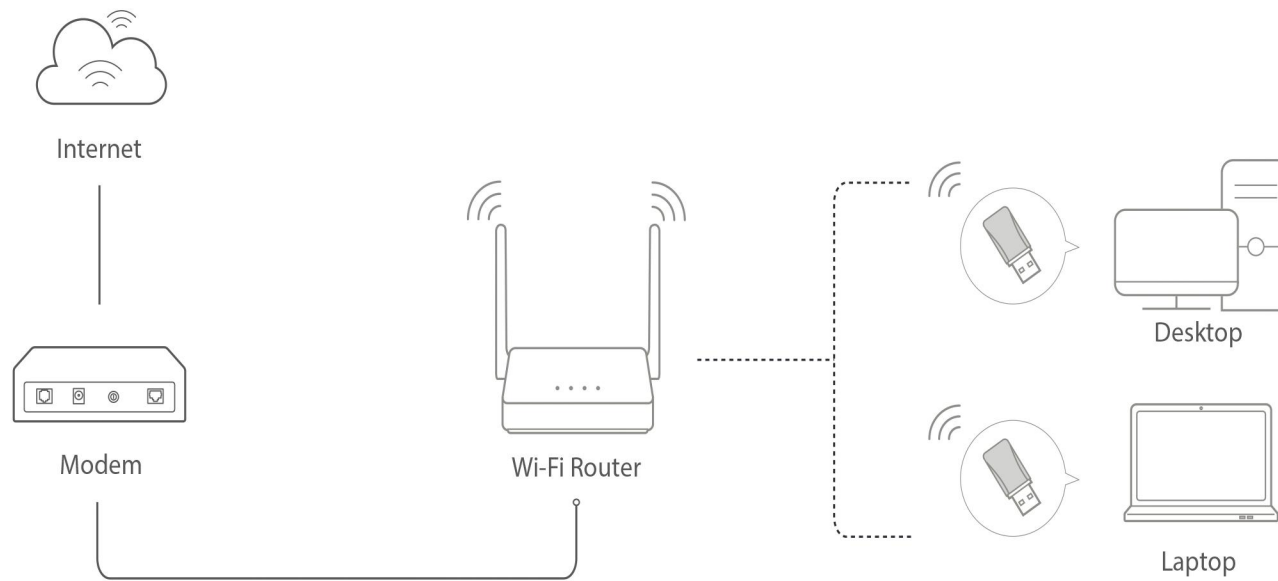
### // Highlights

---

- Provides fast 300Mbps Wi-Fi connections for wired devices
- Ideal for online gaming, HD streaming, web browsing, and more
- Supports Windows 10/8.1/8/7/XP (32/64bit)



## // Connections



## // Specifications

### Physical Specifications

Interface  
USB 2.0

Dimensions (W x D x H)  
42.9 x 17.2 x 8.5mm

Antenna  
Internal

## Wireless Specifications

Wireless Standards	Frequency	EIRP	Wireless Security	Wireless Function
IEEE 802.11b/g/n	2.4-2.4835GHz	<20dBm (EIRP)	WEP, WPA/WPA2, WPA-PSK/WPA2-PSK	Enable/Disable Wireless Radio, Wireless Statistics

### Signal Rate

- 11n: Up to 300Mbps (Dynamic)
- 11g: Up to 54Mbps (Dynamic)
- 11b: Up to 11Mbps (Dynamic)

### Reception Sensitivity

- 270M: -62dBm@10% PER
- 130M: -65dBm@10% PER
- 108M: -68dBm@10% PER
- 54M: -68dBm@10% PER

- 11M: -85dBm@8% PER
- 6 M: -88dBm@10% PER
- 1 M: -90dBm@8% PER

## // Package Contents

1. N300 Wireless Mini USB Adapter ( MW300UM )
2. Quick Installation Guide
3. Resource CD



For more information, please visit  
[www.mercusys.com](http://www.mercusys.com)

**MERCUSYS TECHNOLOGIES CO., LTD.**  
3rd Floor, Building R1-B, No. 23, Gaoxin 4th Road,  
South Hi-Tech Park, Nanshan, Shenzhen, P.R.China

Specifications are subject to change without notice. MERCUSYS is a registered trademark of MERCUSYS TECHNOLOGIES CO., LTD. Other brands and product names are trademarks or registered trademarks of their respective holders.  
Copyright © 2016 MERCUSYS TECHNOLOGIES CO., LTD. All rights reserved.

# MERCUSYS<sup>®</sup>

CONTACT YOUR ACCOUNT MANAGER NOW FOR MORE INFORMATION

**01202 828 444**

**[sales@spire.co.uk](mailto:sales@spire.co.uk)**

**[spire.co.uk](http://spire.co.uk)**



**SPIRE**  
TECHNOLOGY